



CONTIELEC

PRESSDIN-DIA NIQ



REF.	THREAD	mm l.	CABLE Ø mm.	PACK QTY.
110M12	M12x1,5	5	3-6	100
110M16	M16x1,5	5	5-9	100
110M20	M20x1,5	6	9-13	100
110M25	M25x1,5	7	11-16	50
110M32	M32x1,5	8	14-21	25
110M40	M40x1,5	8	19-27	10
110M50	M50x1,5	9	24-35	5
110M63	M63x1,5	10	32-42	5
11007	Pg. 7	5	3-6,5	100
11009	Pg. 9	6	4-8	100
11011	Pg. 11	6	5-10	50
11013	Pg. 13,5	6,5	6-12	50
11016	Pg. 16	6,5	10-14	50
11021	Pg. 21	7	13-18	50
11029	Pg. 29	8	18-25	25
11036	Pg. 36	9	24-32	10
11042*	Pg. 42	10	30-38	5
11048	Pg. 48	10	34-44	5

* Made to Order.

Nickel plated brass cable gland, watertight dome nut and internally diaphragm shaped, hexagonal body, sealing ring and o-ring on external thread. IP68-5 bar.

Cable gland with long thread and cable gland with reducing sealing / Made to order.



CONTIELEC

PRESSDIN-DIA NIQ B



REF.	THREAD	mm l.	CABLE Ø mm.	PACK QTY.
110M12B	M12x1,5	5	3-6	100
110M16B	M16x1,5	5	5-9	100
110M20B	M20x1,5	6	9-13	100
110M25B	M25x1,5	7	11-16	50
110M32B	M32x1,5	8	14-21	25
110M40B	M40x1,5	8	19-27	10
110M50B	M50x1,5	9	24-35	5
110M63B	M63x1,5	10	32-42	5
11007B	Pg. 7	5	3-6,5	100
11009B	Pg. 9	6	4-8	100
11011B	Pg. 11	6	5-10	50
11013B	Pg. 13,5	6,5	6-12	50
11016B	Pg. 16	6,5	10-14	50
11021B	Pg. 21	7	13-18	50
11029B	Pg. 29	8	18-25	25
11036B	Pg. 36	9	24-32	10
-	-	-	-	-
11048B	Pg. 48	10	34-44	5

Nickel plated brass cable gland, watertight dome nut and internally diaphragm shaped, hexagonal body, sealing ring and o-ring on external thread. IP68-5 bar.



PRESSDIN-DIA NIQ EMC*



REF.	THREAD	mm l.	CABLE Ø mm.	PACK QTY.
130M12	M12x1,5	5	3-6	100
130M16	M16x1,5	5	5-9	100
130M20	M20x1,5	6	9-13	100
130M25	M25x1,5	7	11-16	50
130M32	M32x1,5	8	14-21	25
130M40	M40x1,5	8	19-27	10
130M50	M50x1,5	9	24-35	5
130M63	M63x1,5	10	32-42	5
13007	Pg. 7	5	3-6,5	100
13009	Pg. 9	6	4-8	100
13011	Pg. 11	6	5-10	50
13013	Pg. 13,5	6,5	6-12	50
13016	Pg. 16	6,5	10-14	50
13021	Pg. 21	7	13-18	25
13029	Pg. 29	8	18-25	25
13036	Pg. 36	9	24-32	10
13042	Pg. 42	10	30-38	5
13048	Pg. 48	10	34-44	5

*Made to order.

Nickel plated brass cable gland EMC for cables with shielding. Watertight dome nut and internally diaphragm shaped, hexagonal body, sealing ring and o-ring on external thread. IP68-5 bar.

Cable gland with long thread / Made to order.



PRESSDIN-DIA NIQ EMC B



REF.	THREAD	mm l.	Ø Cable mm	PACK.
130M12B*	M12x1,5	5	2 - 6,5	100
130M16B	M16x1,5	6	3 - 8	100
130M20B	M20x1,5	6	5 - 12	100
130M25B	M25x1,5	7	9 - 16	50
130M32B	M32x1,5	8	12 - 21	25
130M40B	M40x1,5	8	18 - 28	10
130M50B	M50x1,5	9	26 - 36	5
130M63B	M63x1,5	10	36 - 48	5

*Made to order

Nickel plated brass cable gland EMC for cables with shielding. Watertight dome nut and internally diaphragm shaped, hexagonal body, sealing ring and o-ring on external thread. Protection degree IP68-5 bar.



PRESSDIN-DIA NIQ. MÚLTIPLE



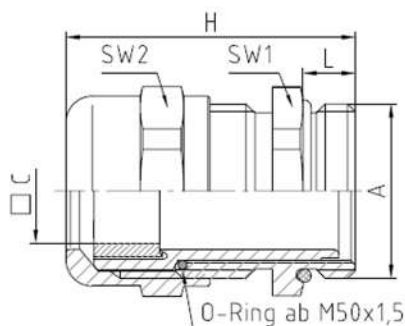
REF.	THREAD	mm l.	Ø Cable mm	PACK.
132M12	M12x1,5	5	2x1,6/3x2,3/4x2	100
132M16	M16x1,5	5	2x4/2x4,5/4x2,3/4x3,5	100
132M20	M20x1,5	6	2x4/2x6/4x5	100
132M25	M25x1,5	7	2x6/2x8/3x4/3x6/3x7/4x5/4x6/4x6,5/5x4/6x4	50
132M32	M32x1,5	8	2x8/3x8/4x7/4x8/4x8,5/6x4/6x6	25
132M40	M40x1,5	8	4x10/5x8,5/8x6,5	10
13209	Pg. 9	6	2x3/2x3,5/3x2/3x3,5/4x2/4x3	100
13211	Pg. 11	6	2x3/2x4/2x4,5/2x5/3x3/3x4/3x5/4x3/7x2,7	50
13213	Pg. 13,5	6,5	2x4,5/2x5/2x6/3x4/3x5	50
13216	Pg. 16	6,5	2x4/2x6/3x4/3x4,5/3x5/3x6/3x6,5/3x7/4x4/4x5/4x6/5x4	50
13221	Pg. 21	7	2x7/2x8/2x9/3x7/3x8/4x5/4x6,5/4x7/4x7,5/5x5	50
13229	Pg. 29	8	5x8,5/6x5/6x7,5/8x5	25

Nickel plated brass cable gland watertight dome nut and internally diaphragm shaped, hexagonal body, gasket for various cables and o-ring on external thread. Protection degree IP65.



CONTIELEC

PRESSDIN-DIA NIQ. CP



REF.	THREAD	mm l.	Ø Cable mm	PACK.
110M20CP	M20x1,5	6	5x12/2x9*	100
110M25CP	M25x1,5	7	6x16,3/2x11*	50
110M32CP	M32x1,5	8	9x20/3x13*	25
110M40CP	M40x1,5	8	10x27/3x17*	10
110M50CP	M50x1,5	9	13x34/4x24*	5
110M63CP	M63x1,5	10	15x45/5x33*	5

* Made to order / Installation of these IP54 cable glands

Nickel plated brass cable gland watertight dome nut and internally diaphragm shaped, hexagonal body, flat cable gasket and o-ring on external thread. Protection degree IP66



PRESSDIN-DIA* NIQ EX



REF.	THREAD	mm l.	Ø Cable mm	PACK.
110M12EX	M12x1,5	6,5	3 - 7	100
110M16EX	M16x1,5	7	6 - 10	100
110M20EX	M20x1,5	8	8 - 13	50
110M25EX	M25x1,5	8	10 - 17	50
110M32EX	M32x1,5	9	11 - 21	25
110M40EX	M40x1,5	9	16 - 28	10
110M50EX	M50x1,5	10	21 - 35	5
110M63EX	M63x1,5	10	34 - 48	5

*Made to order

Nickel plated brass (CuZn39Pb3) cable gland, dust cap polyethylene PE-LD, insert made of PA6, sealing ring CR/NBR, o-ring NBR, metric thread as per EN60423. Long thread*.

Properties: Group II. Zone II2 G (1, 2) Ex eb IIC Gb; II2 D (21, 22) Ex tb IIIC Db. -20° +85°. IP66/IP68 - 10 bar (30 min).

Test EN 60079-0:2012, IEC 60079-0:2017, EN 60079-7:2015, IEC 60079-7:2015, EN 60079-31:2014, IEC 60079-31:2013

EU Certificate BVS17ATEX ; E118X

IECEX Certificate: IECEX BVS ; 17.0101X



PRESSDIN-DIA* NIQ EMC EX



REF.	THREAD	mm l.	Ø Cable mm	PACK.
130M12EX	M12x1,5	6,5	3 - 7	100
130M16EX	M16x1,5	7	6 - 10	100
130M20EX	M20x1,5	8	8 - 13	50
130M25EX	M25x1,5	8	10 - 17	50
130M32EX	M32x1,5	9	11 - 21	25
130M40EX	M40x1,5	9	16 - 28	10
130M50EX	M50x1,5	10	21 - 35	5
130M63EX	M63x1,5	10	34 - 48	5

*Made to order

Nickel plated brass (CuZn39Pb3) cable gland **EMC for cables with shielding** dust cap polyethylene PE-LD, insert made of PA6, sealing ring CR/NBR, o-ring NBR, metric thread as per EN60423. Long thread*.

Properties: Group II. Zone II2 G (1, 2) Ex eb IIC Gb; II2 D (21, 22) Ex tb IIIC Db. -20° +85°. IP66/IP68 - 10 bar (30 min).

Test EN 60079-0:2012, IEC 60079-0:2017, EN 60079-7:2015, IEC 60079-7:2015, EN 60079-31:2014, IEC 60079-31:2013

EU Certificate BVS17ATEX ; E118X

IECEX Certificate: IECEX BVS ; 17.0101X



PRESSDIN-DIA NIQ. W-ONE*



REF.	THREAD	mm l.	Ø Cable mm	PACK.
150M12	M12x1,5	6,5	3 - 8	100
150M16	M16x1,5	7	5 - 10,5	100
150M20	M20x1,5	8	8 - 15	50
150M25	M25x1,5	8	12,5 - 20,5	50
150M32	M32x1,5	9	17 - 25,5	25
150M40	M40x1,5	9	24 - 33	10
150M50	M50x1,5	10	31 - 42	5
150M63	M63x1,5	10	40 - 53	5

* Made to order

WADI one

The new standard for industrial applications.

- Large area sealing protects the cable
- Integrated anchor with high retention
- Temperature range -40°C / + 100°C (dynamic)
- Protection degree IP66 / IP68 - 10 bar (30min) / IP69

P.E. PRESSDIN-DIA W-ONE EMC *



PRESSDIN-DIA NIQ. W-RAIL *



REF.	THREAD	mm l.	Ø Cable mm	PACK.
160M12	M12x1,5	6,5	3 - 8	100
160M16	M16x1,5	7	5 - 10,5	100
160M20	M20x1,5	8	8 - 15	50
160M25	M25x1,5	8	12,5 - 20,5	50
160M32	M32x1,5	9	17 - 25,5	25
160M40	M40x1,5	9	24 - 33	10
160M50	M50x1,5	10	31 - 42	5
160M63	M63x1,5	10	40 - 53	5

* Made to order

WADI rail

Designed for use in railway vehicle subsystems and in cold conditions.

- Complies with the superior fire protection claims according to UL 94 V-0 and EN 45545-2, R22: HL3 / R23: HL3
 - High resistance to UV rays, ozone and weather
 - Temperature range -60°C / + 100°C (dynamic)
 - Protection degree IP66 / IP67 / IP69
- Free of halogens



PRESSDIN-DIA NIQ. W-HEAT*



REF.	THREAD	mm l.	Ø Cable mm	PACK.
155M12	M12x1,5	6,5	3 - 8	100
155M16	M16x1,5	7	5 - 10,5	100
155M20	M20x1,5	8	8 - 15	50
155M25	M25x1,5	8	12,5 - 20,5	50
155M32	M32x1,5	9	17 - 25,5	25
155M40	M40x1,5	9	24 - 33	10
155M50	M50x1,5	10	31 - 42	5
155M63	M63x1,5	10	40 - 53	5

* Made to order

WADI heat

Designed for high heat areas

- Especially indicated for high temperature applications
- Very good resistance to many chemicals
- Temperature range -40°C / + 200°C (dynamic)
- Protection degree IP66 / IP67 / IP69

PRESSDIN-DIA W-HEAT in Stainless Steel *



PRESSDIN-EXA



REF.	THREAD	mm l.	CABLE Ø mm.	PACK QTY.
101M12	M12x1,5	6	5-7	100
101M16	M16x1,5	6	4-11	100
101M20	M20x1,5	6,5	6-12	50
101M25	M25x1,5	7	6-16	50
101M32	M32x1,5	8	9-20	25
101M40	M40x1,5	8	17-28	25
101M50	M50x1,5	9	23-34	10
101M63	M63x1,5	10	35-46	5
10107	Pg. 7	5	5-7	100
10109	Pg. 9	6	4-11	100
10111	Pg. 11	6	6-12	50
10113	Pg. 13,5	6,5	6-13	50
10116	Pg. 16	6,5	6-16	50
10121	Pg. 21	7	9-20	50
10129	Pg. 29	8	17-28	25
10136	Pg. 36	9	23-34	10
10142*	Pg. 42	10	29-40	5
10148	Pg. 48	10	35-46	5

* Made to Order.

Nickel plated brass cable gland hexagonal pressure screw and body, sealing ring with multiple perforation. 2 galvanised steel washers. IP55 protection.



PRESSDIN-EXA RL



REF.	THREAD	mm l.	CABLE Ø mm.	PACK QTY.
103M12	M12x1,5	15	5-7	100
103M16	M16x1,5	15	4-11	100
103M20	M20x1,5	15	6-12	50
103M25	M25x1,5	15	6-16	50
103M32	M32x1,5	15	9-20	25
103M40	M40x1,5	15	17-28	25
103M50	M50x1,5	15	23-34	10
103M63	M63x1,5	15	35-46	5
10307	Pg. 7	15	5-7	100
10309	Pg. 9	15	4-11	100
10311	Pg. 11	15	6-12	50
10313	Pg. 13,5	15	6-13	50
10316	Pg. 16	15	6-16	50
10321	Pg. 21	15	9-20	50
10329	Pg. 29	15	17-28	25
10336	Pg. 36	15	23-34	10
10342*	Pg. 42	15	29-40	10
10348	Pg. 48	15	35-46	5

* Made to Order.

Nickel plated brass cable gland hexagonal pressure screw and body, sealing ring with multiple perforation. 2 galvanised steel washers. Long thread of 15 mm. IP55 protection.