

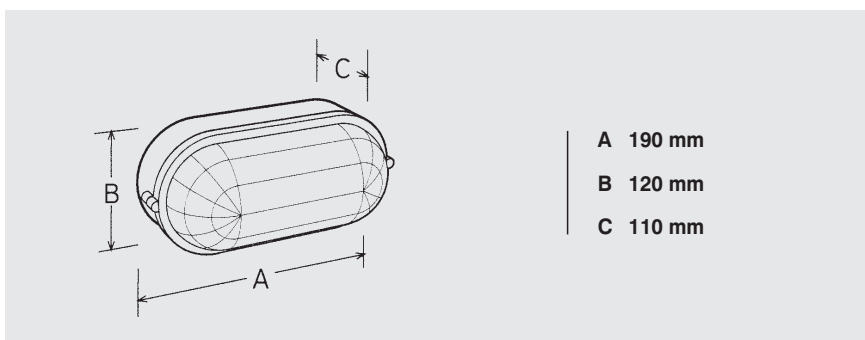
CEILING LAMP - MONACO

CE			IP44	Class 1
----	--	--	------	---------

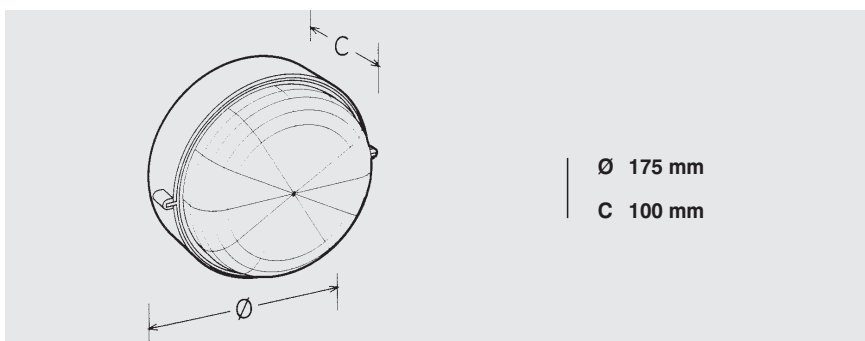
Base	Thermoplastic
Colour	Black & White
Ring	Zinc plated steel wire.
Diffuser	Clear glass
Equipment	Rubber sealing. Ceramic lampholder.
Spare parts	Glass for ceiling lamp MONACO. Please consult for other spare parts, accessories and colours.



REF.	POWER	CONNECTION	COLOUR
63100	1x60	E27	White
63105	1x60	E27	Black



REF.	POWER	CONNECTION	COLOUR
63112	1x60	E27	White
63126	1x60	E27	Black



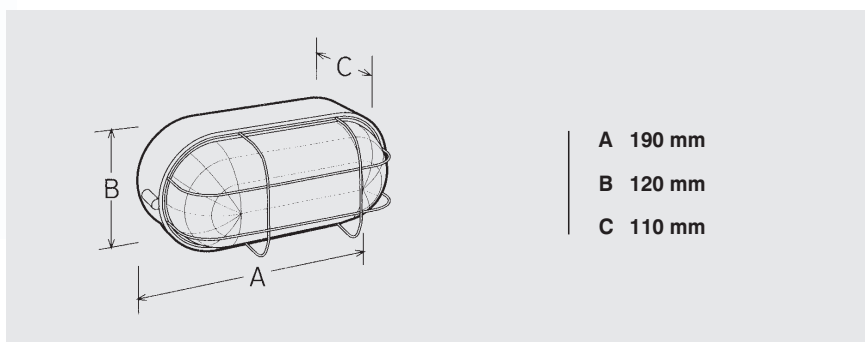
CEILING LAMP - MONACO

CE			IP44	Class 1
----	--	--	------	---------

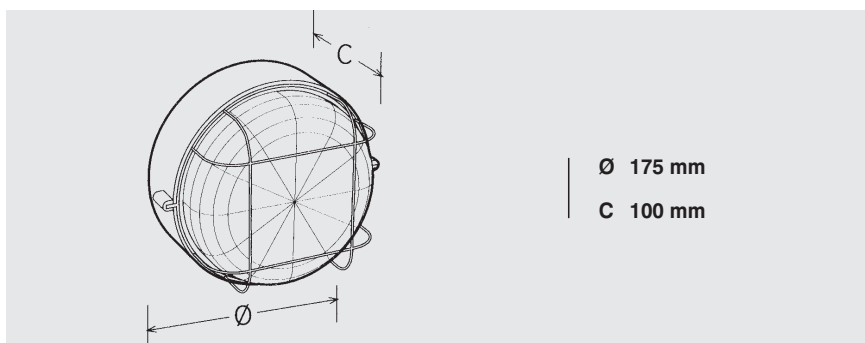
Base	Thermoplastic
Colour	Black & White
Grille	Zinc plated steel wire.
Diffuser	Clear glass
Equipment	Rubber sealing. Ceramic lampholder.
Spare parts	Glass for ceiling lamp MONACO. Please consult for other spare parts, accessories and colours.



REF.	POWER	CONNECTION	COLOUR
63101	1x60	E27	White
63113	1x60	E27	Black



REF.	POWER	CONNECTION	COLOUR
63102	1x60	E27	White
63125	1x60	E27	Black



CEILING LAMP - CANNES

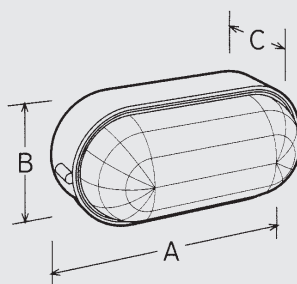
CE			IP44	Class 1
----	--	--	------	---------

Base Die-cast aluminium
Colour Black & White
Ring Die-cast aluminium
Diffuser Clear glass
Equipment Rubber sealing. Ceramic lampholder.

Spare parts Glass for ceiling lamp CANNES. Please consult for other spare parts, accessories and colours.



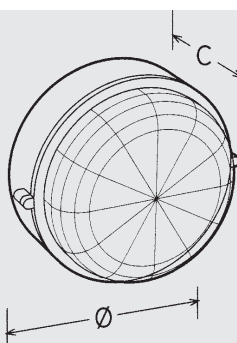
REF.	POWER	CONNECTION	COLOUR
63118	1x60	E27	White
63132	1x60	E27	Black



A 220 mm
 B 110 mm
 C 110 mm



REF.	POWER	CONNECTION	COLOUR
63119	1x60	E27	White
63123	1x60	E27	Black



Ø 200 mm
 C 120 mm

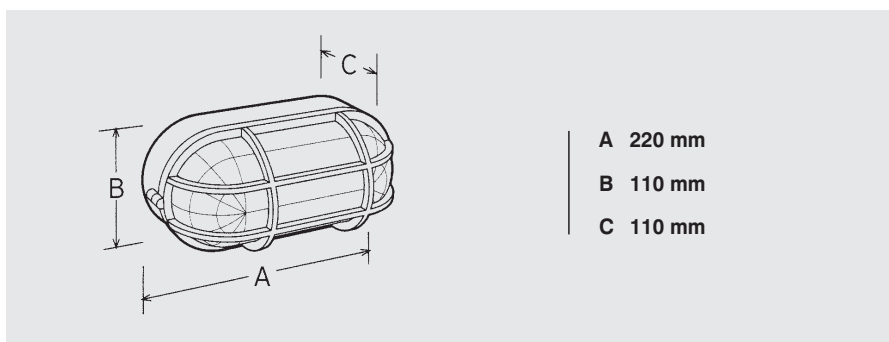
CEILING LAMP - CANNES

CE			IP44		Class 1
----	--	--	------	--	---------

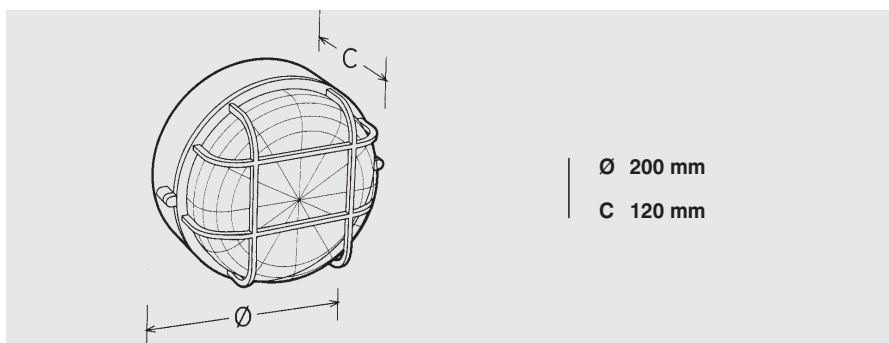
Base	Die-cast aluminium
Colour	Black & White
Grille	Die-cast aluminium
Diffuser	Clear glass
Equipment	Rubber sealing. Ceramic lampholder.
Spare parts	Glass for ceiling lamp CANNES. Please consult for other spare parts, accessories and colours.



REF.	POWER	CONNECTION	COLOUR
63103	1x60	E27	White
63114	1x60	E27	Black



REF.	POWER	CONNECTION	COLOUR
63104	1x60	E27	White
63115	1x60	E27	Black



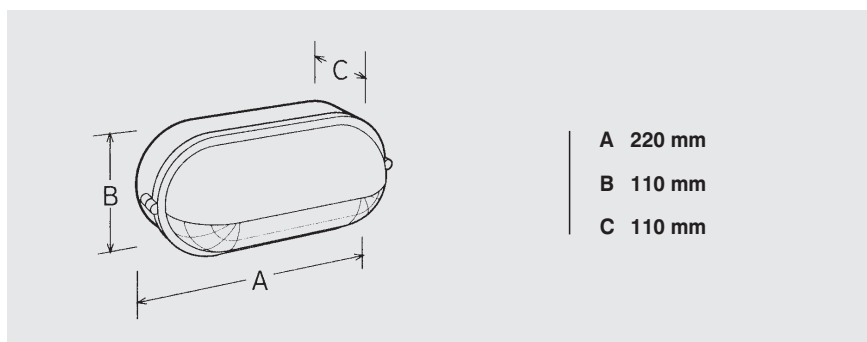
CEILING LAMP - CANNES

CE			IP44	Class 1
----	--	--	------	---------

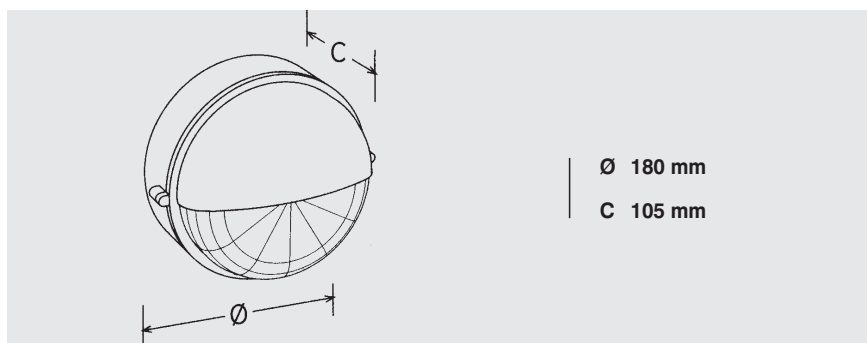
Base	Die-cast aluminium
Colour	Black & White
Grille	Die-cast aluminium
Diffuser	Clear glass
Equipment	Rubber sealing. Ceramic lampholder.
Spare parts	Glass for ceiling lamp CANNES. Please consult for other spare parts, accessories and colours.



REF.	POWER	CONNECTION	COLOUR
63120	1x60	E27	White
63124	1x60	E27	Black



REF.	POWER	CONNECTION	COLOUR
63128	1x60	E27	White
63129	1x60	E27	Black



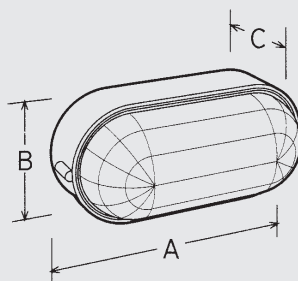
CEILING LAMP - NIZA

CE			IP44	Class 1
----	--	--	------	---------

Base	Die-cast aluminium
Colour	Black & White
Grille	Die-cast aluminium
Diffuser	Clear glass
Equipment	Rubber sealing. Ceramic lampholder.
Spare parts	Glass for ceiling lamp NIZA. Please consult for other spare parts, accessories and colours.



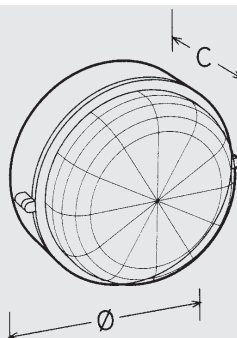
REF.	POWER	CONNECTION	COLOUR
63109	1x150	E27	White
63121	1x150	E27	Black



A	285 mm
B	160 mm
C	125 mm



REF.	POWER	CONNECTION	COLOUR
63108	1x150	E27	White
63111	1x150	E27	Black



Ø	240 mm
C	125 mm

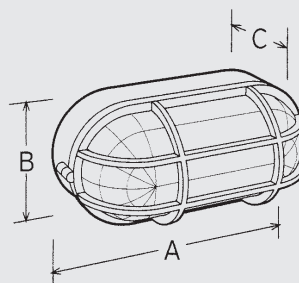
CEILING LAMP - NIZA

CE			IP44		Class 1
----	--	--	------	--	---------

Base	Die-cast aluminium
Colour	Black & White
Grille	Die-cast aluminium
Diffuser	Clear glass
Equipment	Rubber sealing. Ceramic lampholder.
Spare parts	Glass for ceiling lamp NIZA. Please consult for other spare parts, accessories and colours.



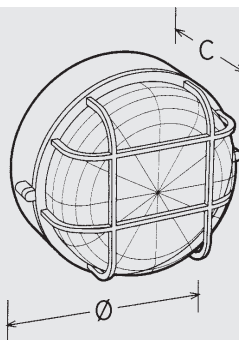
REF.	POWER	CONNECTION	COLOUR
63116	1x150	E27	White
63130	1x150	E27	Black



A	285 mm
B	160 mm
C	125 mm



REF.	POWER	CONNECTION	COLOUR
63107	1x150	E27	White
63122	1x150	E27	Black



Ø	240 mm
C	125 mm

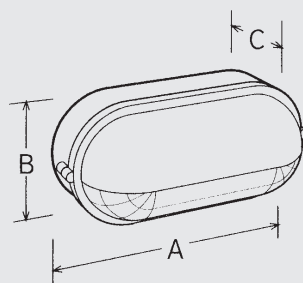
CEILING LAMP - NIZA

CE			IP44	Class 1
----	--	--	------	---------

Base	Die-cast aluminium
Colour	Black & White
Grille	Die-cast aluminium
Diffuser	Clear glass
Equipment	Rubber sealing. Ceramic lampholder.
Spare parts	Glass for ceiling lamp NIZA. Please consult for other spare parts, accessories and colours.



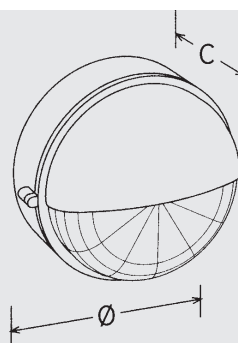
REF.	POWER	CONNECTION	COLOUR
63117	1x100	E27	White
63106	1x100	E27	Black



A	285 mm
B	160 mm
C	125 mm



REF.	POWER	CONNECTION	COLOUR
63127	1x100	E27	White
63133	1x100	E27	Black



Ø	240 mm
C	135 mm

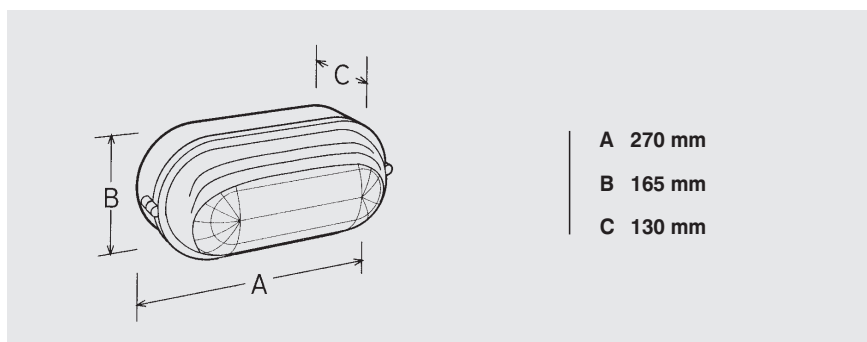
CEILING LAMP - NIZA

CE			IP44	Class 1
----	--	--	------	---------

Base	Die-cast aluminium
Colour	Black & White
Grille	Die-cast aluminium
Diffuser	Clear glass
Equipment	Rubber sealing. Ceramic lampholder.
Spare parts	Glass for ceiling lamp NIZA. Please consult for other spare parts, accessories and colours.



REF.	POWER	CONNECTION	COLOUR
63135	1x100	E27	White
63134	1x100	E27	Black



REF.	POWER	CONNECTION	COLOUR
63137	1x100	E27	White
63136	1x100	E27	Black

