

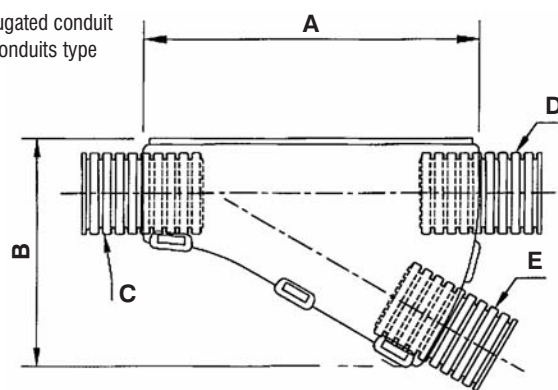
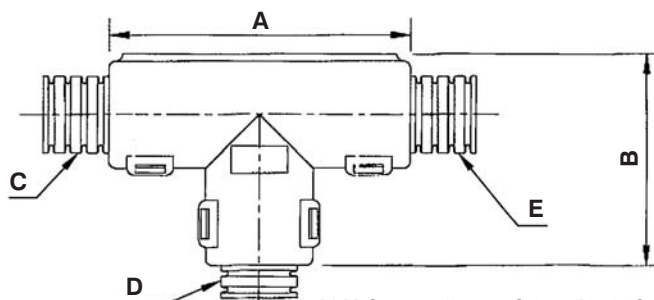
## EXTERNAL HINGED PIECE BLACK PA

### HINGED IP40 "T" PIECE



REF.	LENGTH	WIDTH	ext. Ø mm.	ext. Ø mm.	ext. Ø mm.
	A	B	C	D	E
T101010	45.2	31.1	07	07	07
T131010	45.2	31.1	09	07	07
T131013	45.2	31.1	09	07	09
T131310	45.2	31.1	09	09	07
T131313	45.2	31.1	09	09	09
T161016	49.1	34.8	11	07	11
T161313	49.1	34.8	11	09	09
T161316	49.1	34.8	11	09	11
T161613	49.1	34.8	11	11	09
T161616	49.1	34.8	11	11	11
T211021	56.5	41.0	16	07	16
T211316	56.5	41.0	16	09	11
T211321	56.5	41.0	16	09	16
T211616	56.5	41.0	16	11	11
T211621	56.5	41.0	16	11	16
T212116	56.5	41.0	16	16	11
T281321	64.5	48.6	21	09	16
T281621	64.5	48.6	21	11	16
T282121	64.5	48.6	21	16	16
T281328	64.5	48.6	21	09	21
T281628	64.5	48.6	21	11	21
T282128	64.5	48.6	21	16	21
T282828	64.5	48.6	21	21	21
T341634	72.0	55.3	29	11	29
T342134	72.0	55.3	29	16	29

Only one component piece that rotate a long its length. It is simply assembled by pressure on the corrugated conduit profile, and can be removed by using a screwdriver. Is designed to be used with corrugated flexible conduits type PA in order to keep the same capacity of the internal diameter of the conduit.



PA66 Construction

Colour: Black (Grey RAL 7031 made to order)

Dimensions in mm.

To be used with PA flexible conduits



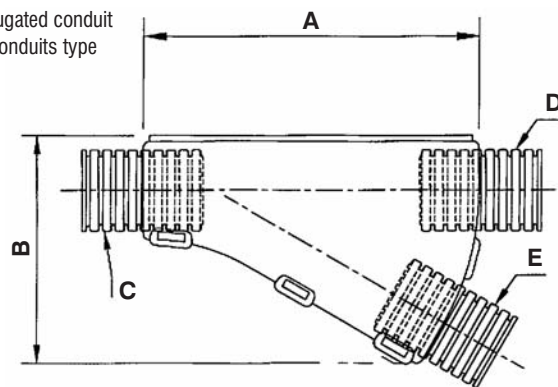
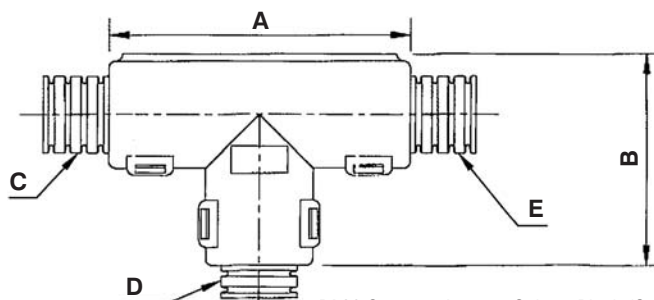
## EXTERNAL HINGED PIECE BLACK PA

### HINGED IP40 "Y" PIECE



REF.	LENGTH	WIDTH	ext. Ø mm.	ext. Ø mm.	ext. Ø mm.
	A	B	C	D	E
Y101010	54.6	37.1	07	07	07
Y131010	54.6	37.1	09	07	07
Y131310	54.6	37.1	09	09	07
Y131313	54.6	37.1	09	09	09
Y161310	54.9	39.8	11	09	07
Y161313	54.9	39.8	11	09	09
Y161610	54.9	39.8	11	11	07
Y161613	54.9	39.8	11	11	09
Y211010	42.8	41.0	16	07	07
Y211310	42.8	41.0	16	09	07
Y211313	42.8	41.0	16	09	09
Y211610	48.2	39.6	16	11	07
Y211613	48.2	39.6	16	11	09
Y212110	57.9	44.9	16	16	07
Y212113	57.9	44.9	16	16	09
Y211616	63.6	47.5	16	11	11
Y212116	63.6	47.5	16	16	11
Y282113	54.0	48.8	21	16	09
Y282116	54.0	48.8	21	16	11
Y282813	67.3	55.9	21	21	09
Y282816	67.3	55.9	21	21	11
Y282821	77.0	60.2	21	21	16
Y282828	90.7	67.0	21	21	21
Y343416	100.6	75.0	29	29	11
Y343421	100.6	76.0	29	29	16

Only one component piece that rotate a long its length. It is simply assembled by pressure on the corrugated conduit profile, and can be removed by using a screwdriver. Is designed to be used with corrugated flexible conduits type PA in order to keep the same capacity of the internal diameter of the conduit.



PA66 Construction

Colour: Black (Grey RAL 7031 made to order)

Dimensions in mm.

To be used with conduit clip Type AC

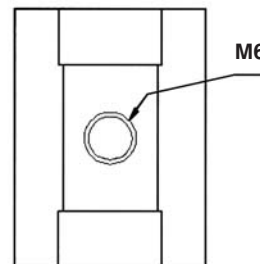
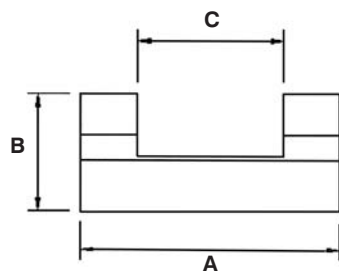


## ALUMINIUM ADAPTER



AC CLIP CONDUIT

ALUMINIUM PIECE



Universal aluminium adapter designed to be used with conduit clip Type AC with integral lid, for DIN guide, with M6 stainless steel screw-lock thread insert.

REF.	AC CLIP	A	DIMENSIONS mm.			
			B	C		
RA2154CC	AL21-54	30,3	13,4	17	M6	

## PROTECTIVE OVERBRAIDED



REF.	NOMINAL Ø	MAXIMUN Ø mm.	PACK QTY.
GNNG04	4	8.1	200
GNNG06	6	9.5	200
GNNG08	8	11.5	200
GNNG10	10	14.5	200
GNNG12	12	17.5	200
GNNG14	14	20.0	200
GNNG16	16	21.0	100
GNNG18	18	23.5	100
GNNG20	20	28	100
GNNG22	22	34	100
GNNG25	25	40	100
GNNG30	30	40	100
GNNG40	40	55	50
GNNG50	50	60	50
GNNG70	70	75	50

### CHARACTERISTICS

- Polyamide 66 mono-fibre 25mm diameter.
- Self-extinguishing
- Operating temperature: -50° +150°
- Mechanical protection against backward effect.