



NF
NORME FRANÇAISE



Deutsche Bahn



FITTINGS

TYPE A IP66

STRAIGHT FITTING
FIXED EXTERNAL THREAD
Grey & Black



Adaptalok fittings' simple push and twist mounting ensures high mechanical strength and IP66 assembly with Type PA/PR/PI/PP conduits, whilst unauthorised or accidental removal is prevented by the necessity to use a screwdriver or removal tool.

Adaptalok fittings complement LFH Type PA & PR conduits for assured fire performance with Nylon versions constructed from the PA66 grade giving added mechanical strength over PA6 fittings.

Adaptalok fitting are available in 2 basic forms, namely fixed threaded fittings in a wide range of thread forms or those comprising a polyamide (Nylon) body with an integrated nickel plated brass thread or coupling.

The latter type incorporates an inherent swivel feature allowing elbow versions (pages 40-42) to be positioned easily, reducing the possibility of damage due to sideways movement of the conduit.

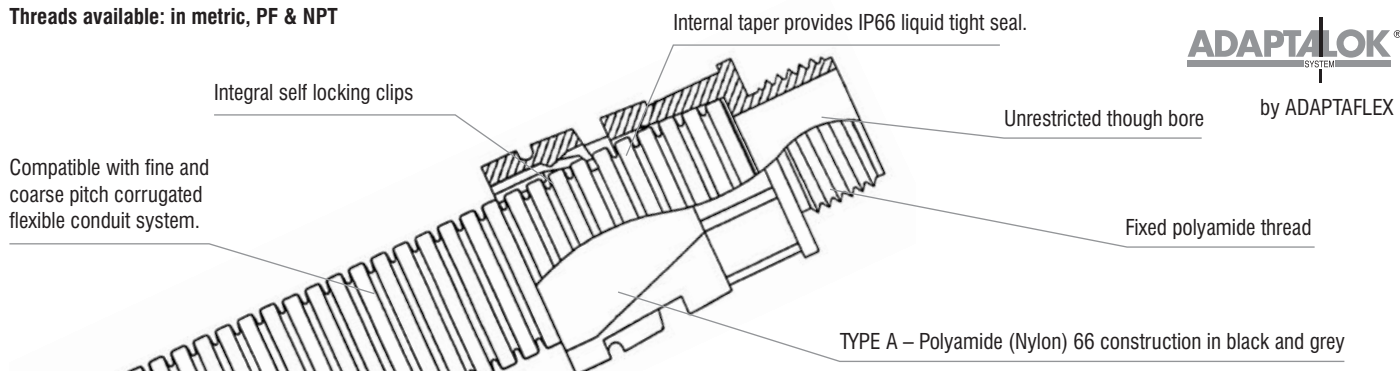
Swivel Adaptalok fittings can be MADE TO ORDER to meet a particular specification of thread or coupling.

Nº	METRIC REF. **	PG REF.	REEL LENGTH
7	AL10/M12/A	AL10/PG7/A	10
7	-	AL10/PG9/A	10
9	AL13/M16/A	AL13/PG9/A	10
9	AL13/M20/A	AL13/PG11/A	10
9	-	AL13/PG13/A	10
11	AL16/M16/A	AL16/PG9/A	10
11	AL16/M20/A	AL16/PG11/A	10
11	-	AL16/PG13/A	10
11	-	AL16/PG16/A	10
13	-	AL18/PG13/A	10
	AL20/M20/A*	-	-
16	-	AL21/PG11/A	10
16	-	AL21/PG13/A	10
16	AL21/M20/A	AL21/PG16/A	10
16	AL21/M25/A	-	-
21	AL28/M25/A	AL28/PG21/A	10
21	AL28/M32/A	-	-
29	AL34/M32/A	AL34/PG29/A	10
29	AL34/M40/A	-	-
36	AL42/M40/A	AL42/PG36/A	2
36	AL42/M50/A	-	-
48	AL54/M50/A	-	2
48	AL54/M63/A	AL54/PG48/A	2

*Made to order.

** Supplied complete with locknut

Threads available: in metric, PF & NPT



ADAPTALOK[®]
SYSTEM

by ADAPTAFLEX

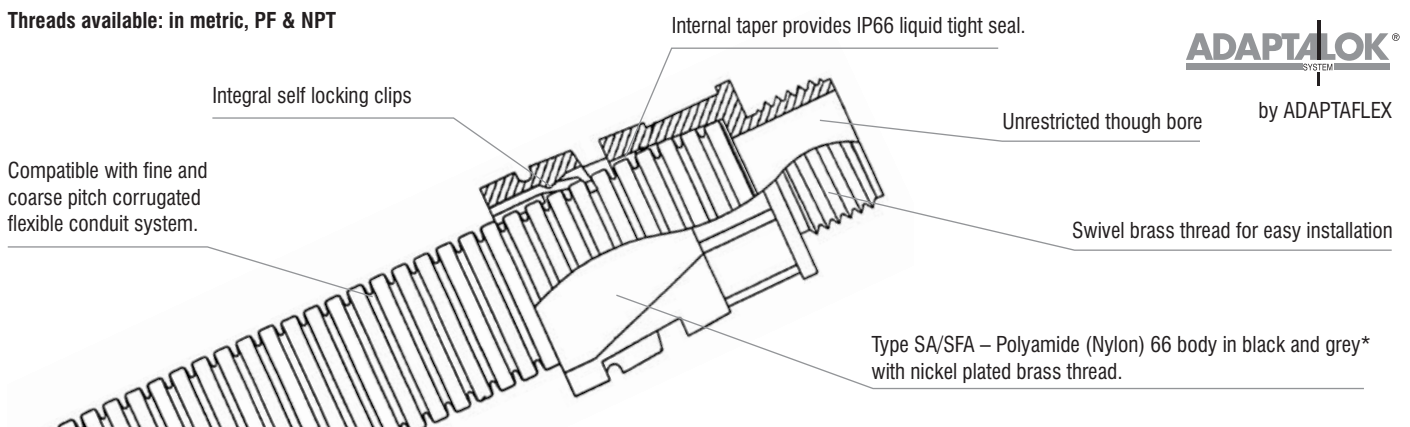
TYPE SA IP66

STRAIGHT BODY
SWIVEL EXTERNAL THREAD



N°	METRIC REF.	PG REF.	PACK QTY.
	-	-	-
7	-	-	-
9	AL13/M16/SA	AL13/PG9/SA	10
9	-	*	-
9	-	*	-
11	AL16/M16/SA	*	10
11	AL16/M20/SA	AL16/PG11/SA	10
11	-	*	-
11	-	*	-
13	-	-	-
	-	-	-
16	AL21/M20/SA	*	10
16	-	AL21/PG13/SA	10
16	-	AL21/PG16/SA	10
	-	-	-
21	AL28/M25/SA	AL28/PG21/SA	10
29	AL34/M32/SA	AL34/PG29/SA	10
36	AL42/M40/SA	AL42/PG36/SA	2
48	AL54/M50/SA	AL54/PG48/SA	2
48	AL54/M63/SA	-	2

Threads available: in metric, PF & NPT



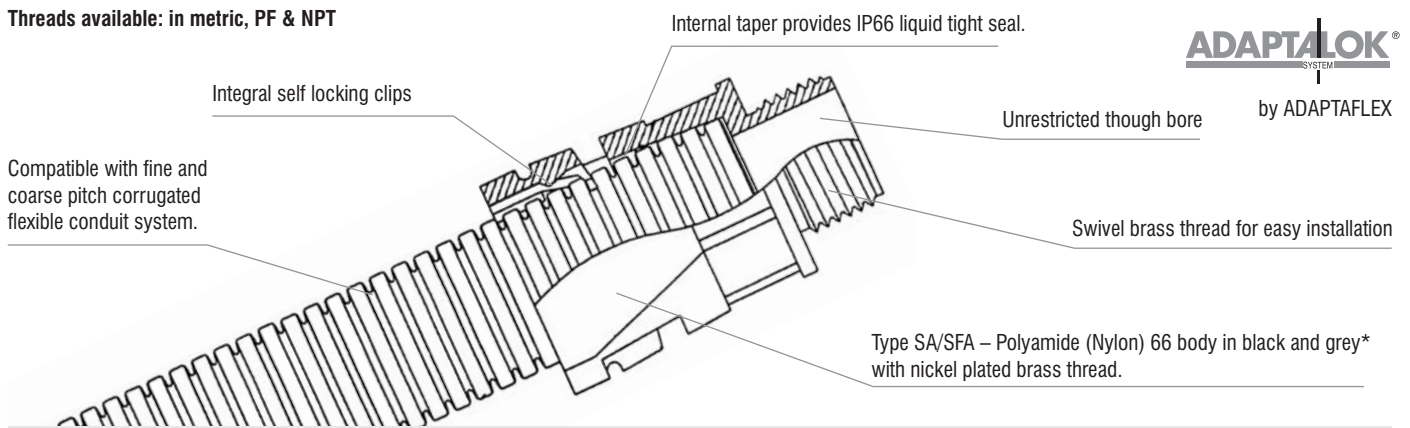
TYPE SFA IP66

STRAIGHT BODY
SWIVEL INTERNAL
FEMALE THREAD



Nº	METRIC REF.	PG REF.	PACK QTY.
	-	-	-
7	-	-	-
9	AL13/M16/SFA	AL13/PG9/SFA	10
9	-	*	-
9	-	*	-
11	AL16/M16/SFA	*	10
11	-	AL16/PG11/SFA	10
11	-	*	-
11	-	*	-
13	-	-	-
	-	-	-
16	AL21/M20/SFA	*	10
16	-	AL21/PG13/SFA	10
16	-	AL21/PG16/SFA	10
	-	-	-
21	AL28/M25/SFA	AL28/PG21/SFA	10
29	AL34/M32/SFA	AL34/PG29/SFA	10
36	AL42/M40/SFA	AL42/PG36/SFA	2
48	AL54/M50/SFA	AL54/PG48/SFA	2
48	-	-	-

Threads available: in metric, PF & NPT



90° ELBOWS

TYPE 90 IP66

90° ELBOW FITTING
FIXED EXTERNAL THREAD



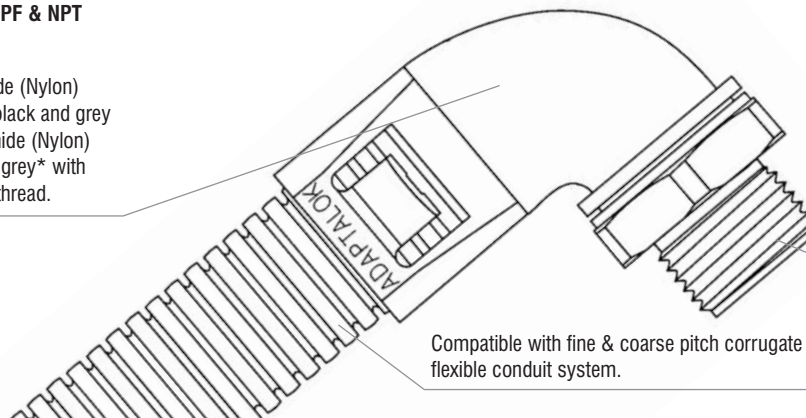
N°	METRIC REF.**	PG REF.	PACK QTY.
7	AL10/M12/90	AL10/PG7/90	10
9	AL13/M16/90	AL13/PG9/90	10
9	-	-	-
9	-	-	-
11	AL16/M16/90	AL16/PG9/90	10
11	AL16/M20/90	AL16/PG11/90	10
11	-	AL16/PG13/90	10
11	-	-	-
13	-	AL18/PG13/90	10
16	AL21/M20/90	-	10
16	-	AL21/PG13/90	10
16	-	AL21/PG16/90	10
21	AL28/M25/90	AL28/PG21/90	10
29	AL34/M32/90	AL34/PG29/90	10
36	AL42/M40/90	AL42/PG36/90	2
48	AL54/M50/90	AL54/PG48/90	2
48	AL54/M63/90	-	2

*Made to order

**Supplied with locknut

Threads available: PF & NPT

TYPE 90 – Polyamide (Nylon)
66 construction in black and grey
TYPE S90 – Polyamide (Nylon)
66 body in black or grey* with
nickel plated brass thread.



Fixed polyamide or swivel
brass threads for easy
installation.

Compatible with fine & coarse pitch corrugate
flexible conduit system.

ADAPTALOK
SYSTEM

by ADAPTAFLEX

90° ELBOWS

TYPE S90 IP66

90° ELBOW FITTING
SWIVEL EXTERNAL THREAD



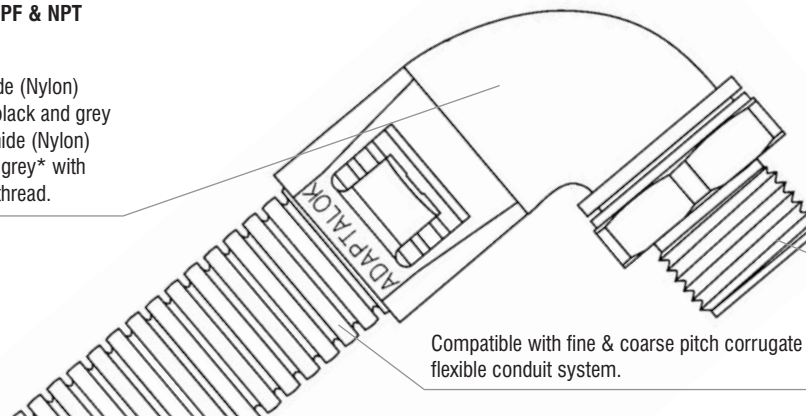
N°	METRIC REF.	PG REF.	PACK QTY.
7	-	-	-
9	AL13/M16/S90	AL13/PG9/S90	10
9	-	*	-
9	-	*	-
11	AL16/M16/S90	*	10
11	AL16/M20/S90	AL16/PG11/S90	10
11	-	*	-
11	-	*	-
13	-	-	-
16	AL21/M20/S90	-	10
16	-	AL21/PG13/S90	10
16	-	AL21/PG16/S90	10
21	AL28/M25/S90	AL28/PG21/S90	10
29	AL34/M32/S90	AL34/PG29/S90	10
36	AL42/M40/S90	AL42/PG36/S90	2
48	AL54/M50/S90	AL54/PG48/S90	2
48	AL54/M63/S90	-	2

*Made to order

**Supplied with locknut

Threads available: PF & NPT

TYPE 90 – Polyamide (Nylon)
66 construction in black and grey
TYPE S90 – Polyamide (Nylon)
66 body in black or grey* with
nickel plated brass thread.



Compatible with fine & coarse pitch corrugate flexible conduit system.

Fixed polyamide or swivel brass threads for easy installation.

ADAPTALOK
SYSTEM

by ADAPTAFLEX

90° ELBOWS

TYPE SF90 IP66

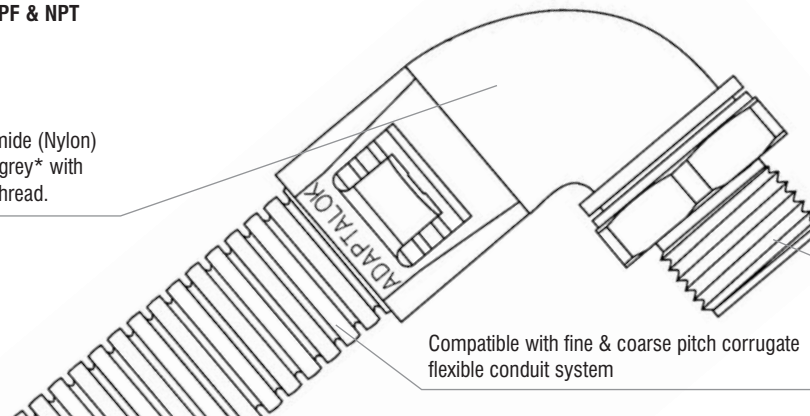
90° ELBOW BODY
SWIVEL INTERNAL THREAD



Nº	METRIC REF.	PG REF.	PACK QTY.
7	-	-	-
9	AL13/M16/SF90	AL13/PG9/SF90	10
9	-	*	-
9	-	*	-
11	AL16/M16/SF90	*	10
11	AL16/M20/SF90	AL16/PG11/SF90	10
11	-	*	-
11	-	*	-
13	-	-	-
16	AL21/M20/SF90	-	10
16	-	AL21/PG13/SF90	10
16	-	AL21/PG16/SF90	10
21	AL28/M25/SF90	AL28/PG21/SF90	10
29	AL34/M32/SF90	AL34/PG29/SF90	10
36	AL42/M40/SF90	AL42/PG36/SF90	2
48	AL54/M50/SF90	-	2
48	-	-	-

Threads available: PF & NPT

TYPE SF90 – Polyamide (Nylon)
66 body in black or grey* with
nickel plated brass thread.



Compatible with fine & coarse pitch corrugate
flexible conduit system

Swivel brass thread for easy
installation

ADAPTALOK
SYSTEM

by ADAPTAFLEX

90° Elbow IP66



90° ELBOWS

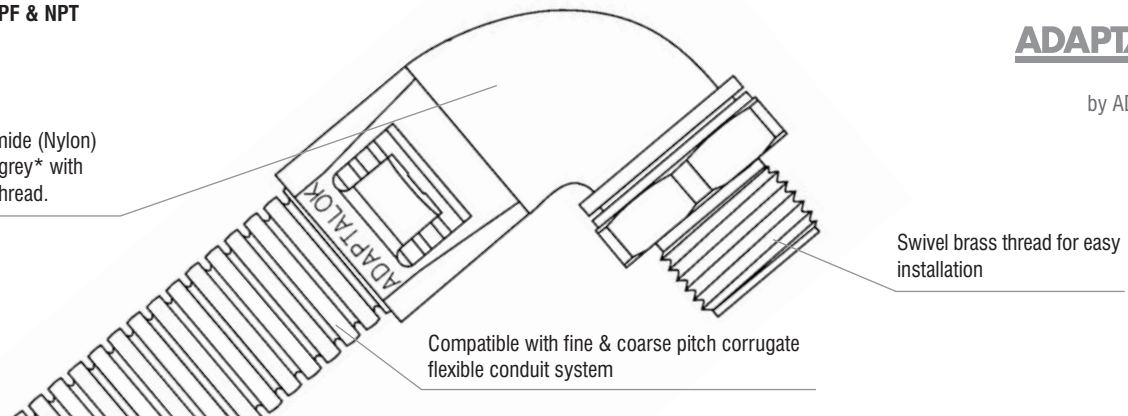
TYPE FL90 IP66 90° ELBOW BODY



N°	REF.	PACK QTY.
7	-	-
9	-	-
9	-	-
9	-	-
11	-	-
11	-	-
11	-	-
11	-	-
13	-	-
16	-	-
16	AL21/FL/90	10
16	AL28/FL/90	10
21	AL34/FL/90	10
29	AL42/FL/90	2
36	AL54/FL/90	2
48	-	-
48	-	-

Threads available: PF & NPT

TYPE SF90 – Polyamide (Nylon)
66 body in black or grey* with
nickel plated brass thread.



ADAPTALOK
SYSTEM

by ADAPTAFLEX

45° ELBOW

TYPE 45 IP66

45° ELBOW FITTING
FIXED EXTERNAL THREAD

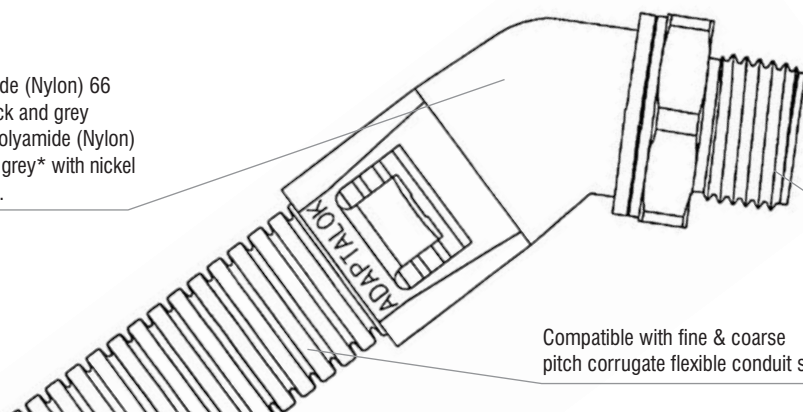


N°	METRIC REF. **	PG REF.	PACK QTY.
9	AL13/M16/45	AL13/PG9/45	10
9	-	-	-
9	-	-	-
11	-	-	-
11	AL16/M16/45	AL16/PG11/45	10
11	AL16/M20/45	AL16/PG13/45	10
11	-	-	-
13	-	-	-
16	AL21/M20/45	-	10
16	-	AL21/PG13/45	10
16	-	AL21/PG16/45	10
21	AL28/M25/45	AL28/PG21/45	10
29	AL34/M32/45	AL34/PG29/45	10
36	AL42/M40/45	AL42/PG36/45	2
48	AL54/M50/45	AL54/PG48/45	2
48	AL54/M63/45	-	2

*Made to order

**Supplied with locknut

TYPE 45 – Polyamide (Nylon) 66 construction in black and grey
TYPE S45/SF45– Polyamide (Nylon) 66 body in black or grey* with nickel plated brass thread.



ADAPTALOK
SYSTEM

by ADAPTAFLEX

Fixed polyamide or swivel brass threads for easy installation

Compatible with fine & coarse pitch corrugate flexible conduit system

45° ELBOW

TYPE S45 IP66

45° ELBOW FITTING
SWIVEL EXTERNAL THREAD

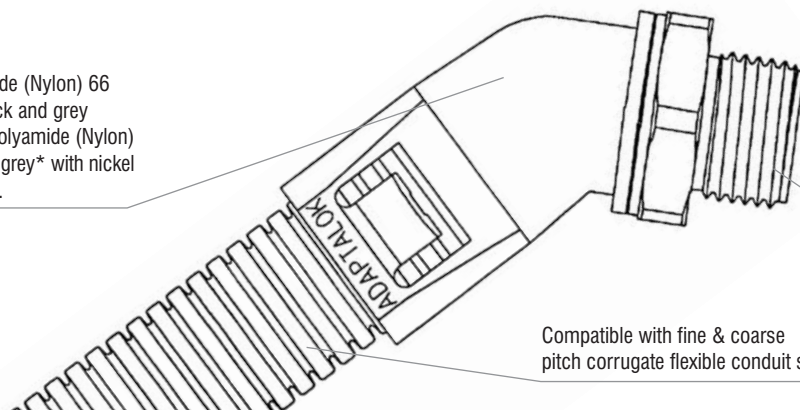


N°	METRIC REF.	PG REF.	PACK QTY.
9	AL13/M16/S45	AL13/PG9/S45	10
9	-	-	-
9	-	-	-
11	-	-	-
11	AL16/M16/S45	AL16/PG11/S45	10
11	AL16/M20/S45	-	10
11	-	-	-
13	-	-	-
16	AL21/M20/S45	-	10
16	-	AL21/PG13/S45	10
16	-	AL21/PG16/S45	10
21	AL28/M25/S45	AL28/PG21/S45	10
29	AL34/M32/S45	AL34/PG29/S45	10
36	AL42/M40/S45	AL42/PG36/S45	2
48	AL54/M50/S45	AL54/PG48/S45	2
48	AL54/M63/S45	-	2

*Made to order

**Supplied with locknut

TYPE 45 – Polyamide (Nylon) 66 construction in black and grey
TYPE S45/SF45– Polyamide (Nylon) 66 body in black or grey* with nickel plated brass thread.



Compatible with fine & coarse pitch corrugate flexible conduit system

Fixed polyamide or swivel brass threads for easy installation

ADAPTALOK
SYSTEM

by ADAPTAFLEX

45° ELBOW

TYPE SF45 IP66

45° ELBOW FITTING FEMALE
SWIVEL INTERNAL THREAD

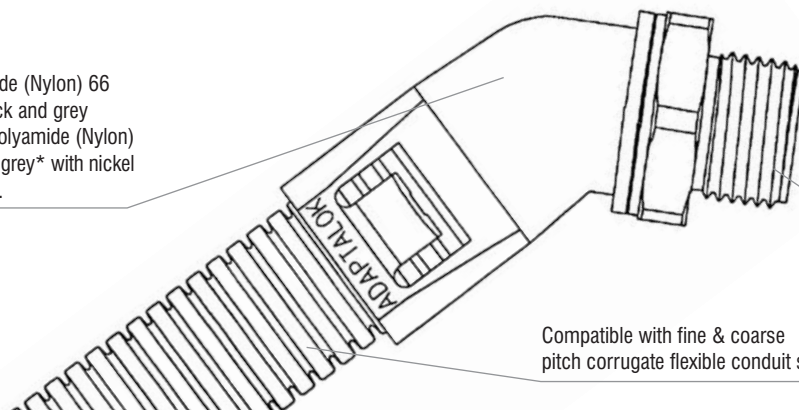


N°	METRIC REF.	PG REF.	PACK QTY.
9	AL13/M16/SF45	AL13/PG9/SF45	10
9	-	-	-
9	-	-	-
11	-	-	-
11	AL16/M16/SF45	AL16/PG11/SF45	10
11	AL16/M20/SF45	-	10
11	-	-	-
13	-	-	-
16	AL21/M20/SF45	-	10
16	-	AL21/PG13/SF45	10
16	-	AL21/PG16/SF45	10
21	AL28/M25/SF45	AL28/PG21/SF45	10
29	AL34/M32/SF45	AL34/PG29/SF45	10
36	AL42/M40/SF45	AL42/PG36/SF45	2
48	AL54/M50/SF45	-	2
48	-	-	-

*Made to order

**Supplied with locknut

TYPE 45 – Polyamide (Nylon) 66
construction in black and grey
TYPE S45/SF45– Polyamide (Nylon)
66 body in black or grey* with nickel
plated brass thread.



Compatible with fine & coarse
pitch corrugate flexible conduit system

ADAPTALOK
SYSTEM

by ADAPTAFLEX



COUPLERS

SWIVEL COUPLER IP66

STRAIGHT PA66 BODY – SWIVEL COUPLER
FOR COUPLING TO CORRUGATED FLEXIBLE CONDUIT

Nº	REF.	PACK QTY.
9	AL13-AL13/AB	10
11	AL16-AL16/AB	10
16	AL21-AL21/AB	10
21	AL28-AL28/AB	10
29	AL34-AL34/AB	10
36	AL42-AL42/AB	10
48	AL54-AL54/AB	10



ADAPTAFLEX



COUPLERS

3-WAYS COUPLER IP66

3-WAYS PA66 FITTING

Nº	REF.	NOMINAL Ø COMBINATION	PACK QTY.
9	AL131010/Y	13X10X10	10
11	AL161313/Y	16X13X13	10
16	AL211616/Y	21X16X16	10
21	AL282121/Y	28X21X21	10
29	-	-	-
36	-	-	-



Adaptalok fittings' simple push and twist mounting ensures high mechanical strength and IP66 assembly with Type PA/PR/PP conduits, whilst unauthorised or accidental removal is prevented by the necessity to use a screwdriver or tool.



INSERT SEAL

YELLOW INSERT IP67/68



N°	REF.	NOMINAL Ø mm.	PITCH CONDUIT	FOR USE WITH STANDARD PA/PR/PI CONDUITS - BLACK OR GREY
11	ALS16/F	16	F	PAFS16/PRFS16/PIFS16
16	ALS21/F	21	F	PAFS21/PRFS21/PIFS21
21	ALS28/C	28	C	PACS28/PRCS28/PICS28
29	ALS34/C	34	C	PACS34/PRCS34/PICS34
36	ALS42/C	42	C	PACS42/PRCS42/PICS42
48	ALS54/C	54	C	PACS54/PRCS54/PICS54

F – Fine pitch
C – Coarse pitch

An entirely new elastomer seal developed for insertion into the conduit, which – when fitted with **Adaptalok** fittings – raises the IP rating from IP66 to IP68.

- Suitable for any IP66 Adaptalok fitting
- Suitable for any industry.
- Ideal where a high IP rating is required
- IP68 – 1.1 bar for 35 minutes.
- Easy to fit
- Made from thermoplastic elastomer
- Available in 6 sizes
- Yellow colour for high visibility
- Suitable for PA/PI & PR standard weight conduit

The design of the seal has minimal effect on the cable carrying capacity of the conduit.



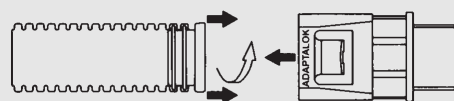
FITTING INSTRUCTIONS



- 1 Turn seal approx 30° and push in 1 half so that the 2 ribs are fully engaged into the recesses of the conduit.



- 2 Push down on the ribs in the direction of "A" and feed the 2nd half of the seal into the conduit



- 3 Push conduit into Adaptalok as normal:
 - Push 'n' Twist
 - Pull back on conduit to engage Adaptalok teeth