

CONDUIT



TYPE PA/PI
BLACK AND GREY

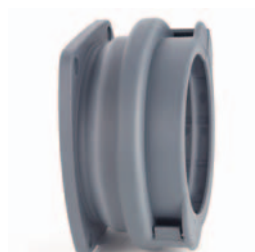
REF.	EXT. Ø mm.	INT. Ø mm.	(↔) R
PACS80/BL	79.3	67.3	160
PACS80/GR	79.3	67.3	160
PACS106/BL	106.0	91.5	210
PACS106/GR	106.0	91.5	210
PICS80/BL	79.0	67.0	160
PICS80/GR	79.0	67.0	160
PICS106/BL	105.5	91.0	210
PICS106/GR	105.5	91.0	210

Reel length: 10 m

Technical information for conduit + fitting	PA	PI
IP rating		IP40 without seal insert IP65 with seal insert
Long term operating temperature	-40°C...120°C	-50°C...85°C
Short term operating temperature	-40°C...150°C	-50°C...90°C
Colour		Black and Grey
Self-extinguishing	Yes	Yes
Halogen free	Yes	Yes
UV Resistance	Yes	Yes
Compression Strength	80mm: 60 kg 106mm: 85 kg	55 kg 80 kg
Tensile Strength	Good	Excellent

FITTINGS

TYPE FLA IP40 STRAIGHT FLANGE

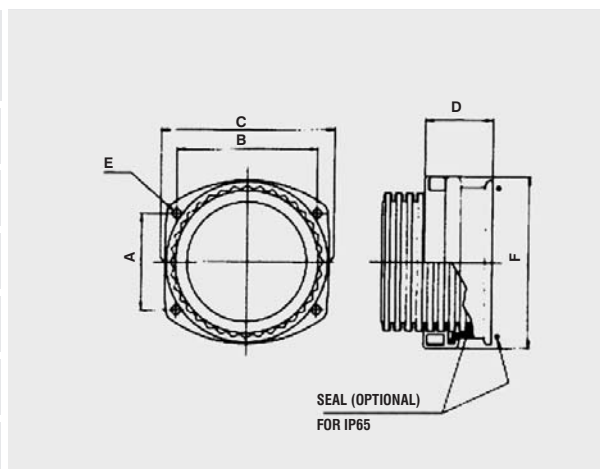


REF.
ADC80/FL/A/BL
ADC80/FL/A/GR
ADC106/FL/A/BL
ADC106/FL/A/GR
ADC80/FL/A/BL
ADC80/FL/A/GR
ADC106/FL/A/BL
ADC106/FL/A/GR

Technical information for conduit + fitting		PA	PI
IP rating		IP40 without seal insert IP65 with seal insert	
Long term operating temperature		-40°C...120°C	-50°C...85°C
Short term operating temperature		-40°C...150°C	-50°C...90°C
Colour		Black and Grey	
Self-extinguishing		Yes	Yes
Halogen free		Yes	Yes
UV Resistance		Yes	Yes
Compression Strength	80mm	60 kg	55 kg
	106mm	85 kg	80 kg
Tensile Strength		Good	Excellent

Fittings FLA dimensions

NOMINAL DIMENSIONS	ADC80/FL/A	ADC106/FL/A
A	60.0	74.0
B	80.0	108.0
C	98.0	126.0
D	52.5	52.5
EØ	7.0	7.0
F	106.0	132.0



90° ELBOWS

TYPE FL90 IP40

90° FLANGE

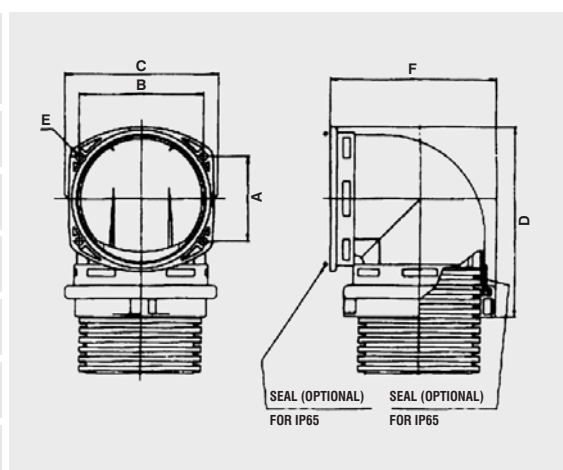


REF.
ADC80/FL/90/BL
ADC80/FL/90/GR
ADC106/FL/90/BL
ADC106/FL/90/GR
ADC80/FL/90/BL
ADC80/FL/90/GR
ADC106/FL/90/BL
ADC106/FL/90/GR

Technical information for conduit + fitting		PA	PI
IP rating		IP40 without seal insert	IP65 with seal insert
Long term operating temperature		-40°C...120°C	-50°C...85°C
Short term operating temperature		-40°C...150°C	-50°C...90°C
Colour		Black and Grey	
Self-extinguishing		Yes	Yes
Halogen free		Yes	Yes
UV Resistance		Yes	Yes
Compression Strength	80mm	60 kg	55 kg
	106mm	85 kg	80 kg
Tensile Strength		Good	Excellent

Elbows FL90 dimensions

NOMINAL DIMENSIONS	PART NUMBERS	
	ADC80/FL/A	ADC106/FL/A
A	60.0	74.0
B	80.0	108.0
C	96.0	126.0
D	128.0	166.0
EØ	7.0	7.0
F	110.5	144.0



Type CP/90 coupler

TYPE SK TO OBTAIN IP65



REF.
SK80
SK80
SK106
SK106
SK80
SK80
SK106
SK106